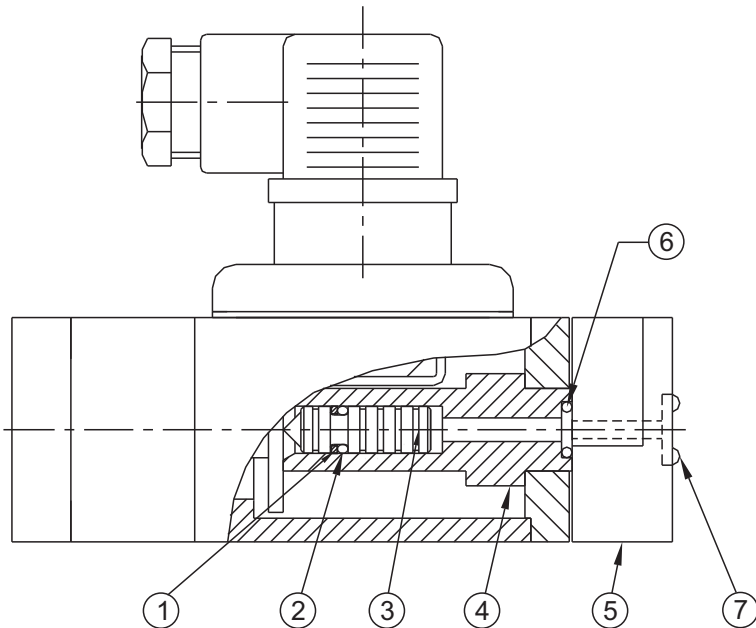


HM/HO HYDRAULIC PRESSURE SWITCHES



PRESSURE CAPSULE DETAILS



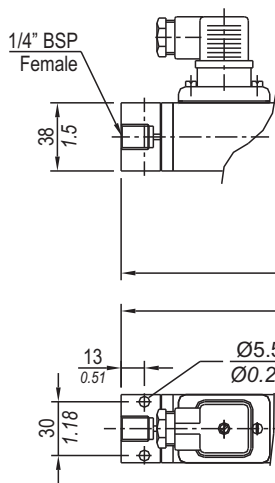
No. Description

1. Backup ring
2. Piston seal
3. Piston
4. Pressure housing
5. Base
6. Pressure housing seal
7. Base seal (O ring)
(N.A for line mounting style)

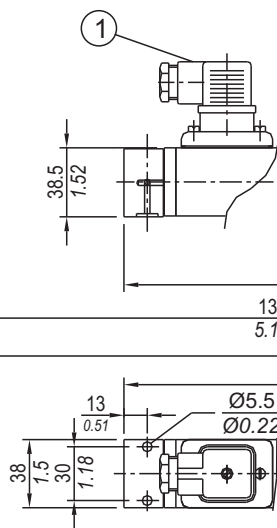
Note : *wetted parts* are mentioned in italics.

INSTALLATION DRAWING

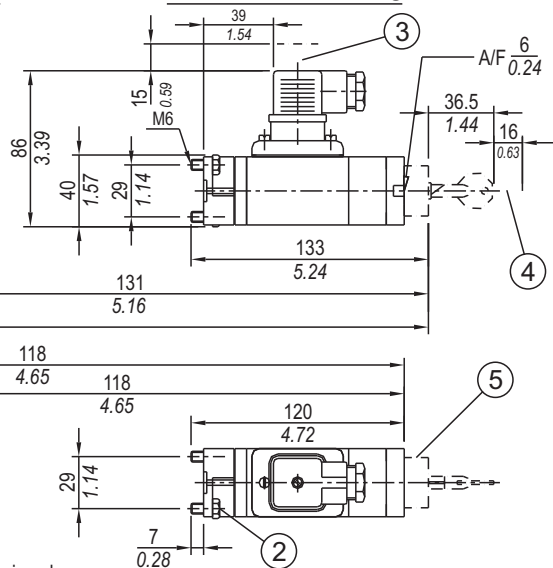
For line mounting



For subplate mounting



For vertical stacking



- ① can be rotated 90°
- ② two fixing screws
- ③ space for removing plug
- ④ space for removing key
- ⑤ lockable protective cap

APPROX. DIMENSIONS IN $\frac{\text{mm}}{\text{inches}}$

HYDRAULIC PRESSURE SWITCHES

HM/HO

General information:

HM series pressure switches have a machined aluminium powder coated enclosure and are recommended for manifold mounting hydraulic applications. When fitted with different types of chemical seals these can also be used for various processes. The repeat accuracy is better than $\pm 1\%$ FSR. A connector to DIN 43650 is provided for wiring.

Features:

- Compact
- Lightweight
- Three mounting styles
- Lockable protective cap to avoid tampering (optional)
- Choice of wetted parts to suit working media
- Electrical rating : 5A, 250 VAC; 0.2A, 250 VDC (res.)

Some Applications : Used in compressors, hydraulic power packs, manifolds/stacks with sandwich plates, etc.

Range Selection Table

Range Code	Range (falling pressure) bar (psi)	*Approximate Maximum Differential bar (psi)	Maximum Working Pressure bar (psi)
040	3 - 40 (43.51 - 580.15)	5 (72.52)	200 (2900.76)
100	10 - 100 (145.04 - 1450.38)	12 (174.05)	200 (2900.76)
200	7 - 200 (101.52 - 2900.76)	24 (348.09)	200 (2900.76)
400	100 - 400 (1450.38 - 5801.51)	40 (580.15)	400 (5801.51)

*differential rises with setpoint (Graphs available on request)

Wetted Parts Table for HM Hydraulic Series.

	Standard	Optional	Special
Piston	EN8	S.S.	for special wetted parts through chemical seals, please refer page 300 & 301 and specify in text accordingly.
Piston Seal	Viton	Viton	
Pressure housing	Aluminium	Brass/ M.S.	
Housing Seal	Nitrile	Viton	
Base	M.S.	Brass	
Base Seal	Nitrile	Viton	

How to order HM Hydraulic Series pressure switches.

Group 1	Group 2	Group 3	Group 4	Group 5	Group 6
Model	Range Code	Base Type	Protective Cap	Wetted Parts	Enclosure*
HM - Hydraulic Pressure Switch HO - Hydraulic Pressure Switch	Hydraulic Pressure Range	S - for Subplate mounting. L - for line Mounting V - for vertical Stacking	U - without any protective cap P - with a lockable protective cap	M - for Standard Wetted parts. B - for Brass pressure housing, brass base, SS piston. All seals of Viton only X - Specify wetted parts in text as per technical details table above	0 - IP 65 as per IS60529

*HM series flameproof versions will be available with 1/4" BSPF threading arrangement only. For corrosive media, a separate chemical seal can be provided.

eg. A hydraulic pressure switch, pressure range from 5 to 40 bar, as a vertical element with a lockable protective cap & standard wetted parts with a standard enclosure shall be specified by

Group 1	Group 2	Group 3	Group 4	Group 5	Group 6
HM	040	V	P	M	0

Please specify full model number to avoid ambiguity. If only the first two groups are specified while ordering, pressure switches with standard wetted parts will be supplied.